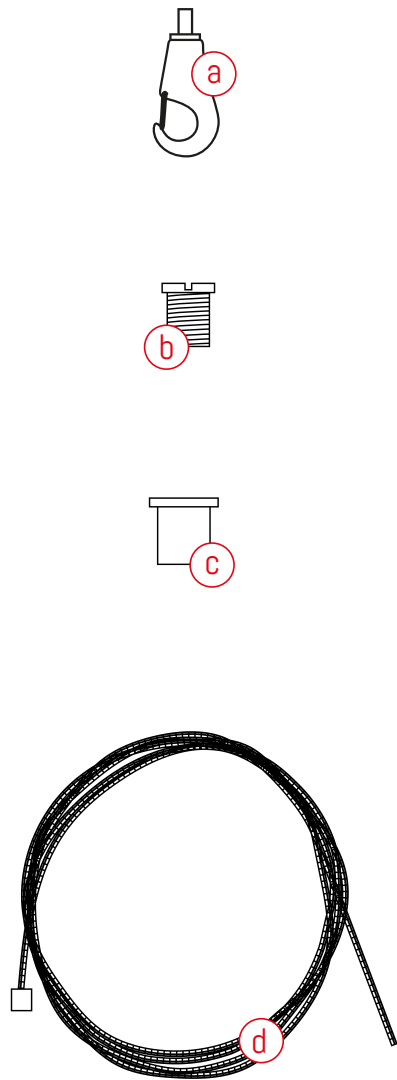
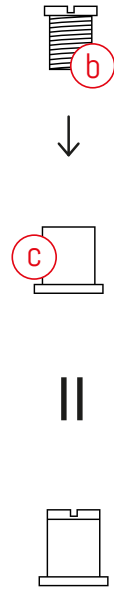


ECHOJAZZ AG
Ringstrasse 25
8010 Kriens
Switzerland
T+41 41 340 1880
M+41 79 412 5922
E-mail: info@echojazz.com

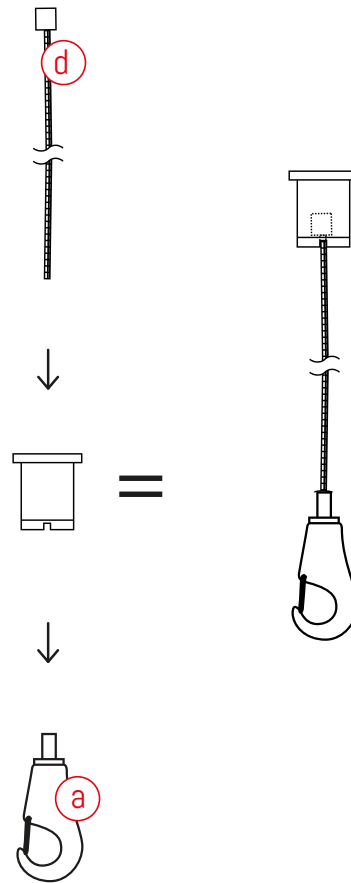
Installation Guide EchoLED[®] with Frame Profile and DALI plug



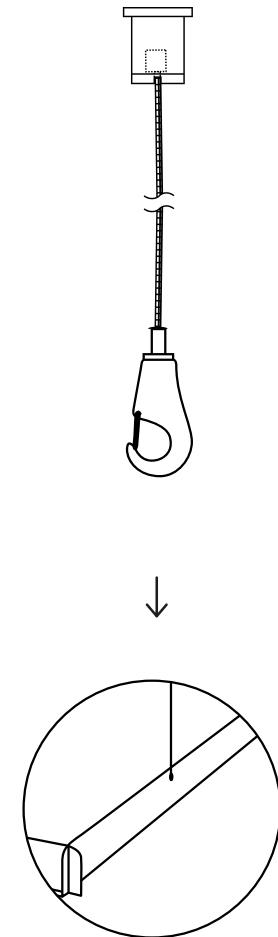
1.



2.

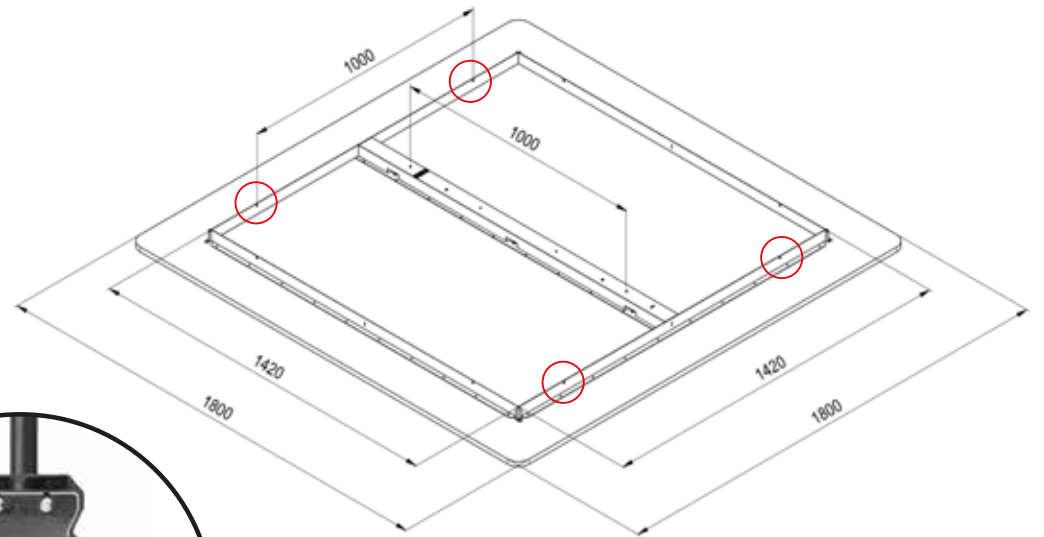
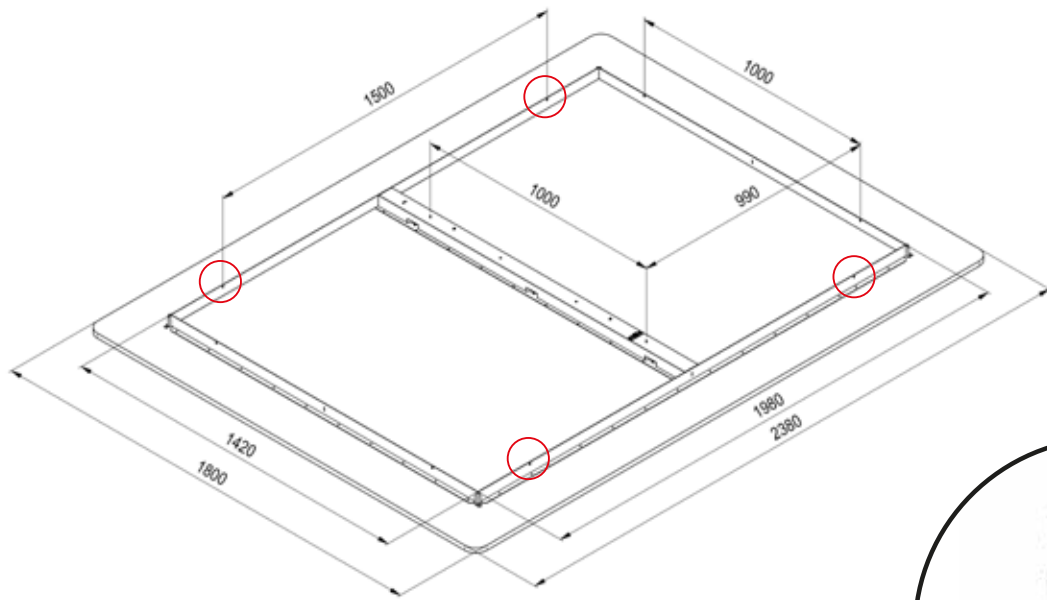


3.

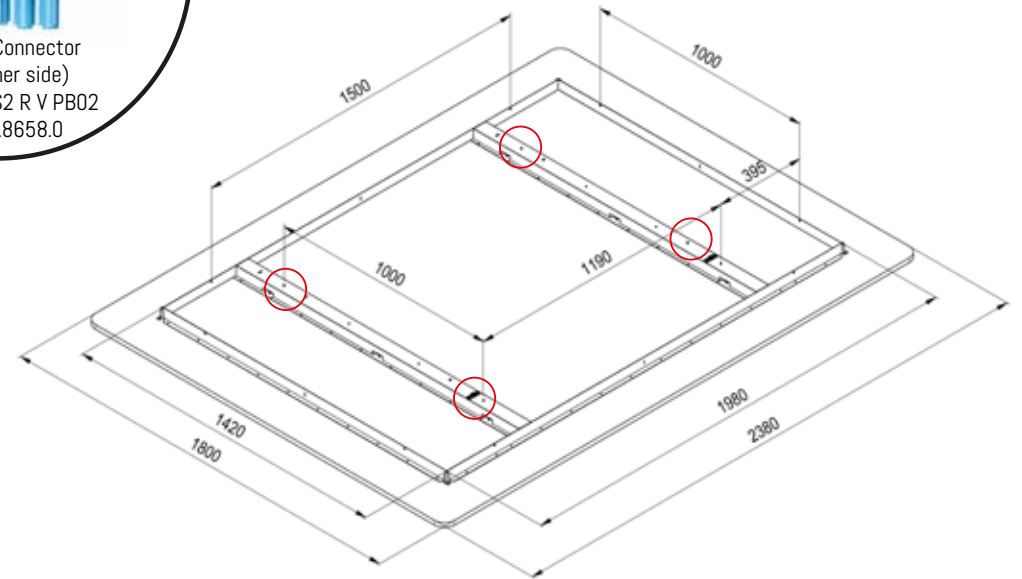
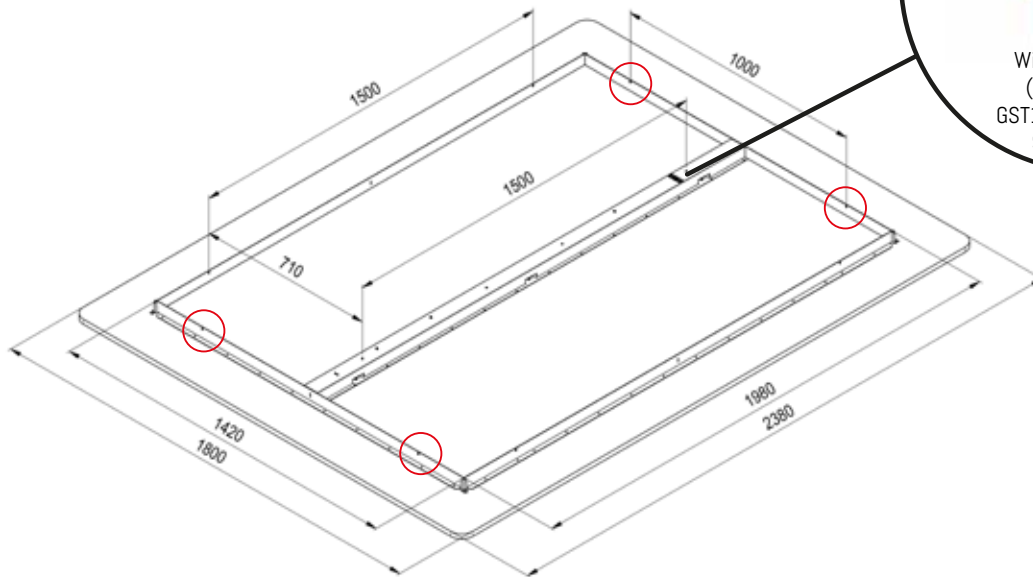


ECHOJAZZ AG
 Ringstrasse 25
 8010 Kriens
 Switzerland
 T+41 41 340 1880
 M+41 79 412 5922
 E-mail: info@echojazz.com

Installation Guide EchoLED[®] with Frame Profile and DALI plug



Wieland Connector
(customer side)
GST1815F S2 R V PB02
92.052.8658.0



ECHOJAZZ AG
Ringstrasse 25
8010 Kriens
Switzerland
T+41 41 340 1880
M+41 79 412 5922
E-mail: info@echojazz.com

Installation Guide EchoLED[®] with Frame Profile and DALI plug